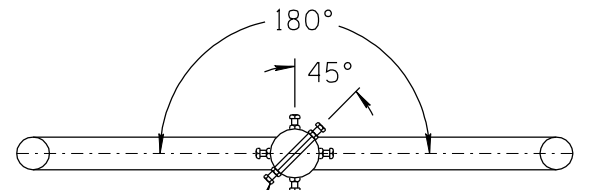


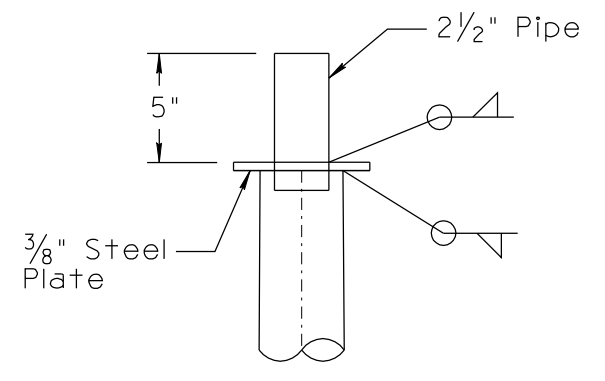
NO	1	2010 EDITION	NO	3	4
MADE BY	C. COLE	DATE	03/10	DESCRIPTION OF REVISIONS	
MADE BY		DATE			
NO					



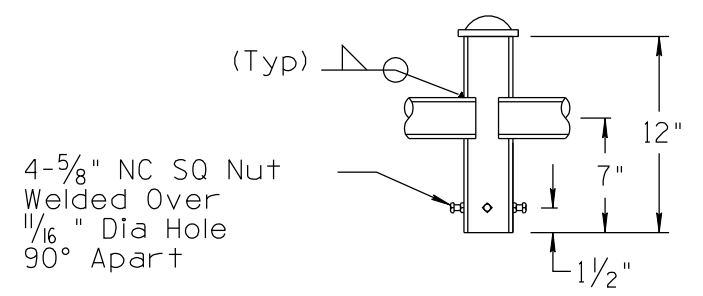
After bracket has been installed on pole tenon, drill 3/8" hole through bracket and tenon. Install 3/8" x 4 1/2" hex head cadmium plated bolt, nut and washer.

4-5/8" x 1" Cup Point SQ Head Set Screws

SECTION A-A

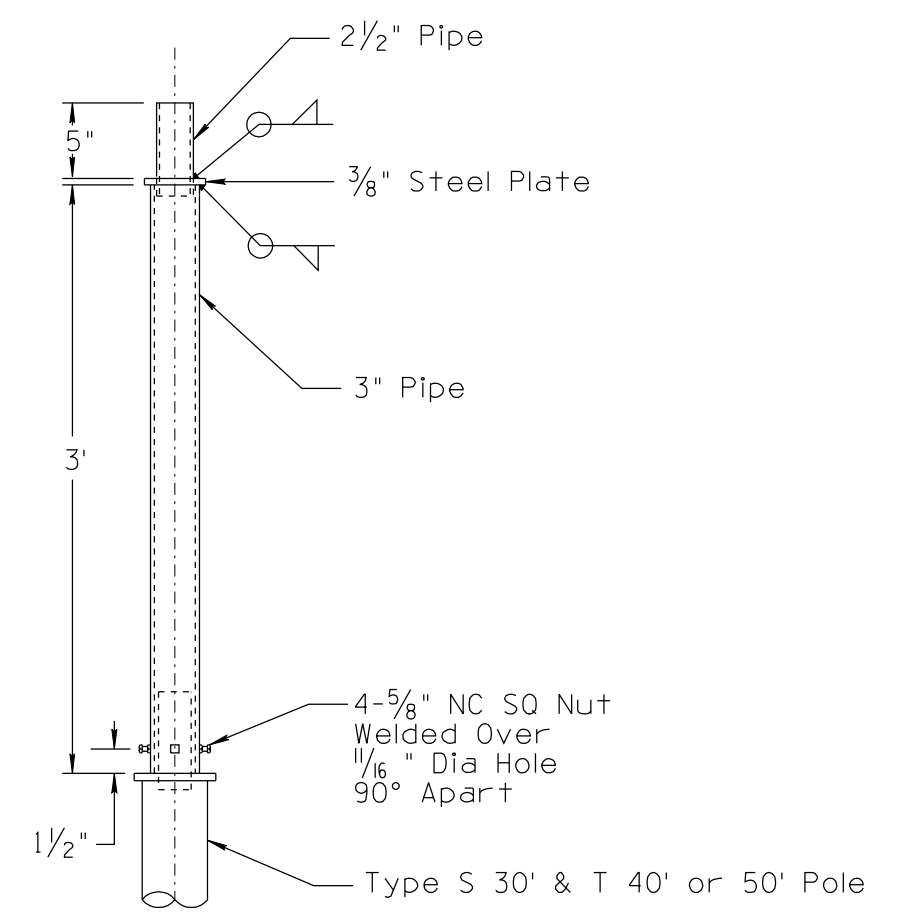


POLE TOP DETAIL

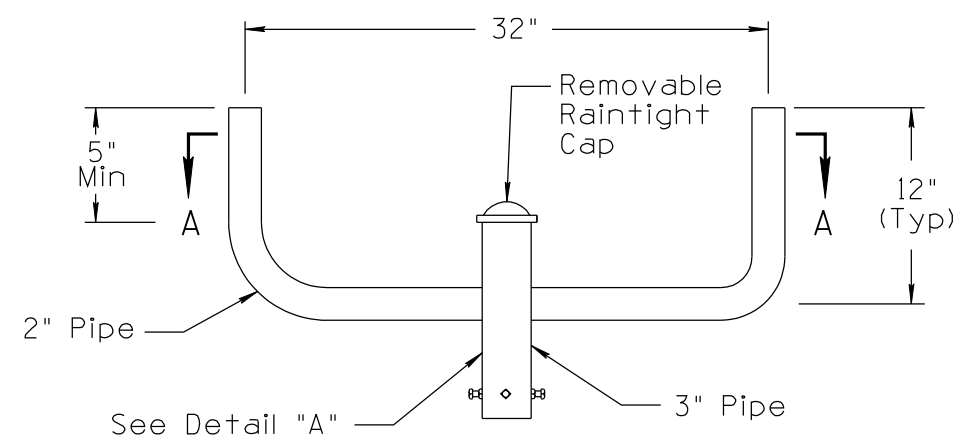


4-5/8" NC SQ Nut Welded Over 1/16" Dia Hole 90° Apart

DETAIL "A"



POLE EXTENSION



TWIN LUMINAIRE BRACKET AND SET SCREW DETAIL

NOT TO SCALE

DESIGN APPROVED	ARIZONA DEPARTMENT OF TRANSPORTATION INTERMODAL TRANSPORTATION DIVISION TRAFFIC SIGNALS AND LIGHTING STANDARD DRAWINGS	REVISION 03/10
SIGNATURE		DRAWING NO. T.S. 4-14
APPROVED FOR DISTRIBUTION	ON FILE	SHEET NO. 2 OF 2
	TWIN LUMINAIRE MOUNTING BRACKET AND EXTENSIONS	