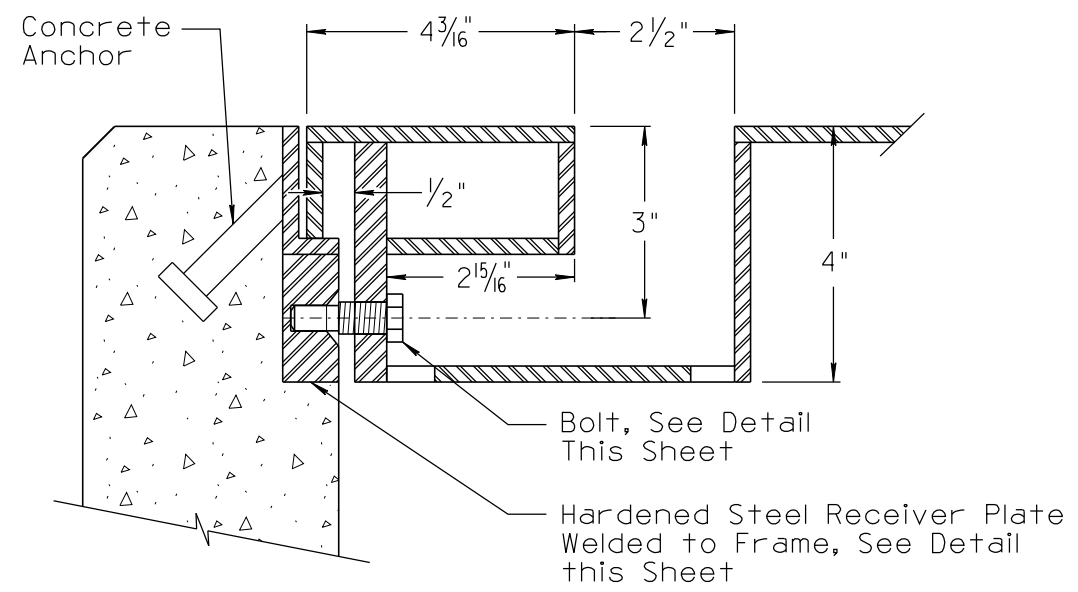
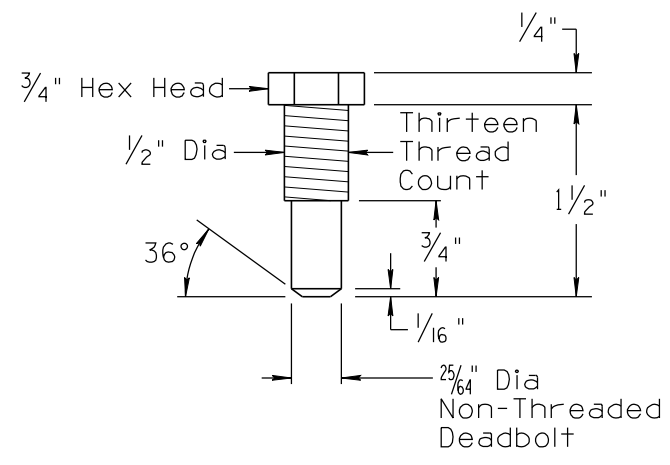


NO	DATE	MADE BY	DESCRIPTION OF REVISIONS
3	09/11	C. COLE	
4			

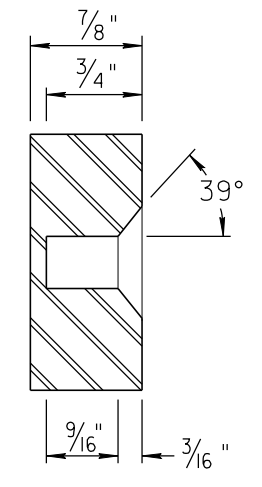
NO	DATE	MADE BY	DESCRIPTION OF REVISIONS
1	2011 EDITION - NEW STANDARD		



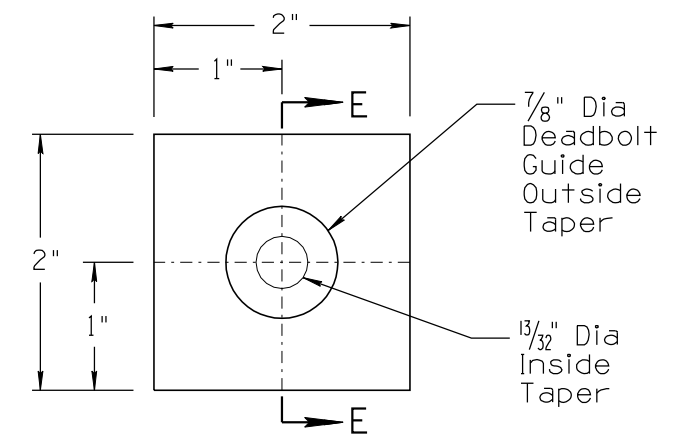
LID LOCKING MECHANISM (LOCKED)



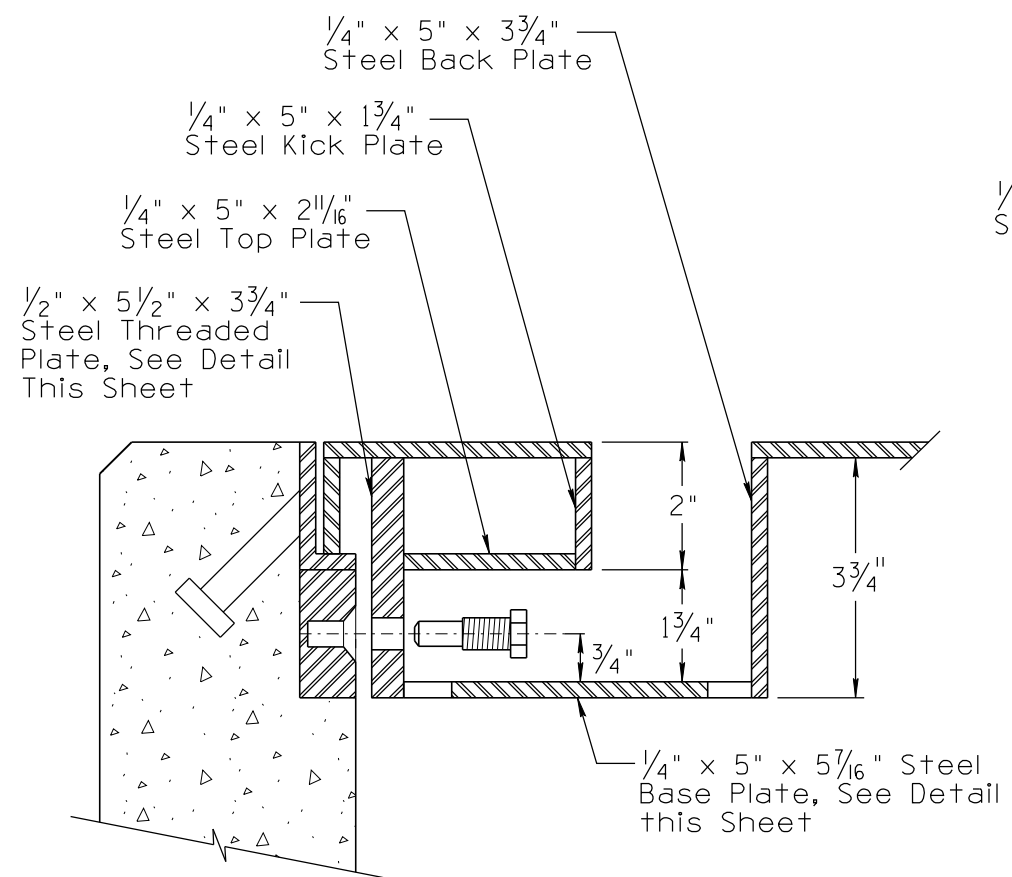
3/4" HEX BOLT DETAIL



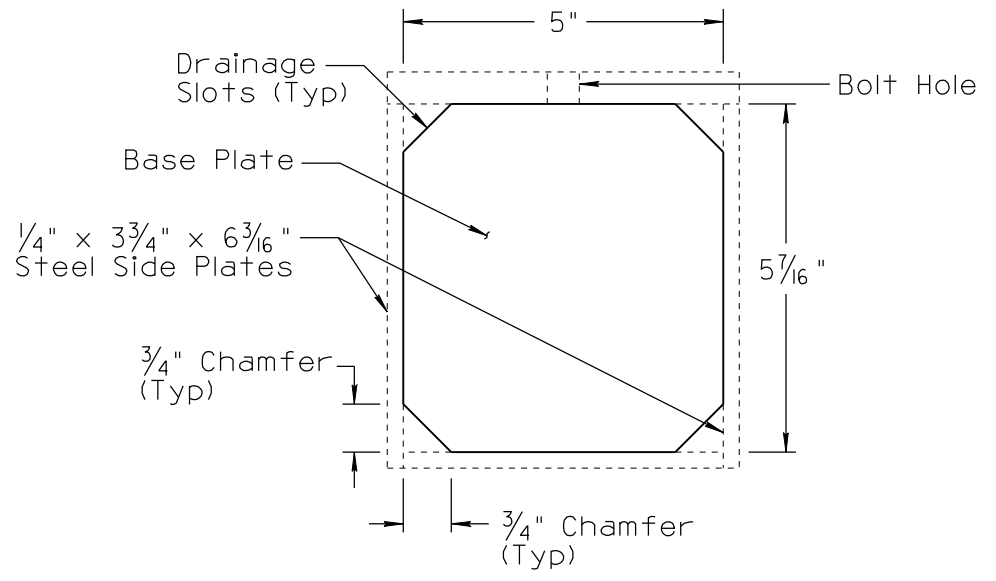
SECTION E-E



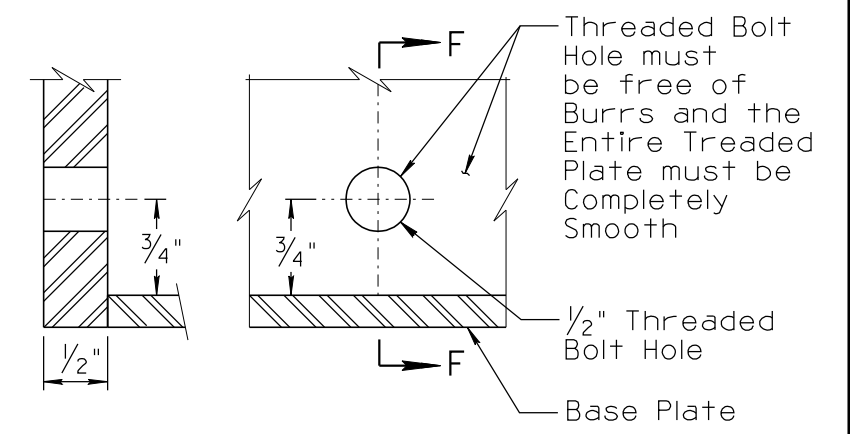
RECEIVER PLATE DETAIL



LID LOCKING MECHANISM (UNLOCKED)

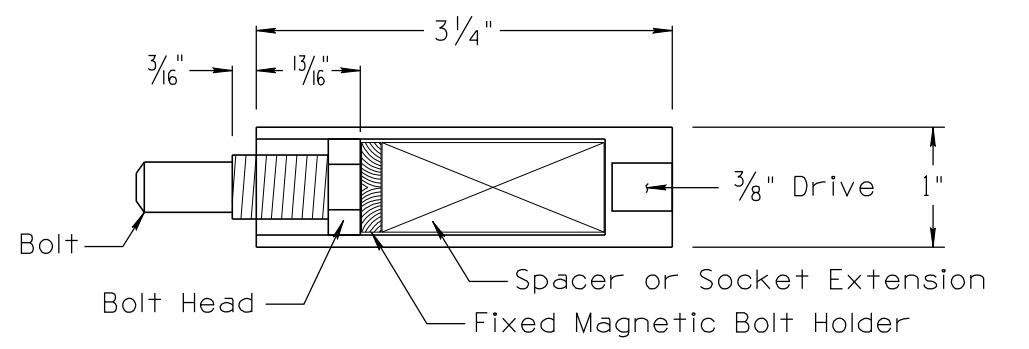


BASE PLATE DETAIL
Bottom View



SECTION F-F

THREADED PLATE DETAIL



3/4" SOCKET
Bolt Insertion and Retrieval

DESIGN APPROVED	ARIZONA DEPARTMENT OF TRANSPORTATION INTERMODAL TRANSPORTATION DIVISION TRAFFIC SIGNALS AND LIGHTING STANDARD DRAWINGS	REVISION 09/11
SIGNATURE		DRAWING NO. T.S. 1-11
APPROVED FOR DISTRIBUTION	HEAVY DUTY LIGHTING NO. 4 AND NO. 6 PULL BOX LID	SHEET NO. 4 OF 4
ON FILE		

NOT TO SCALE